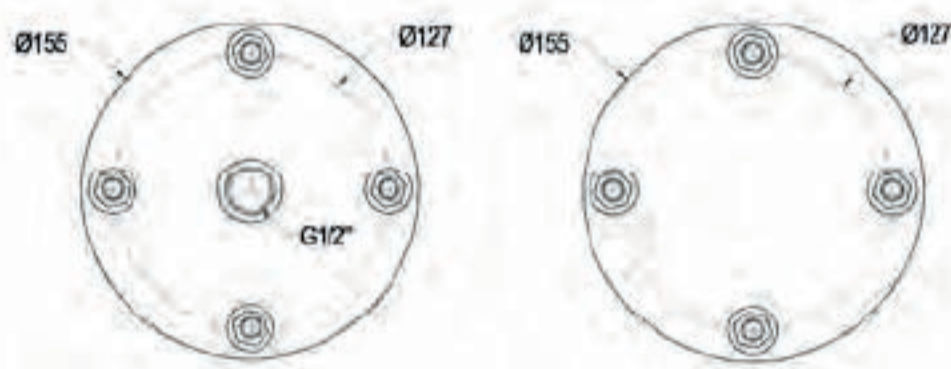
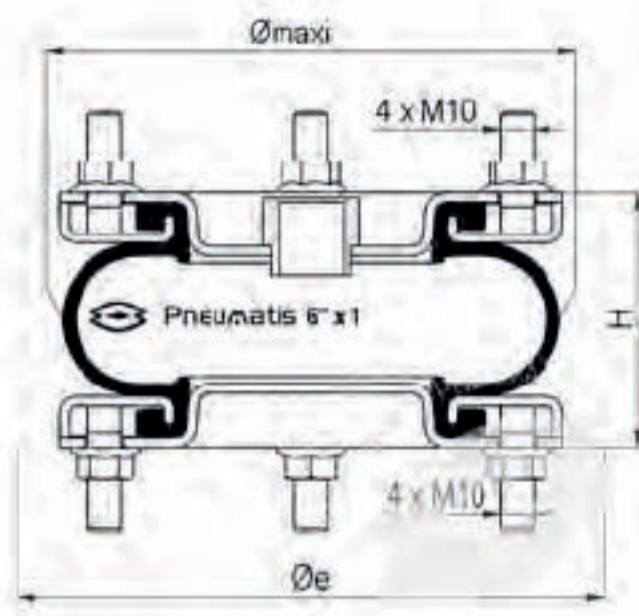


Bellow 6" x 1 steel

DB0617/B

INDUSTRY



Technical characteristics

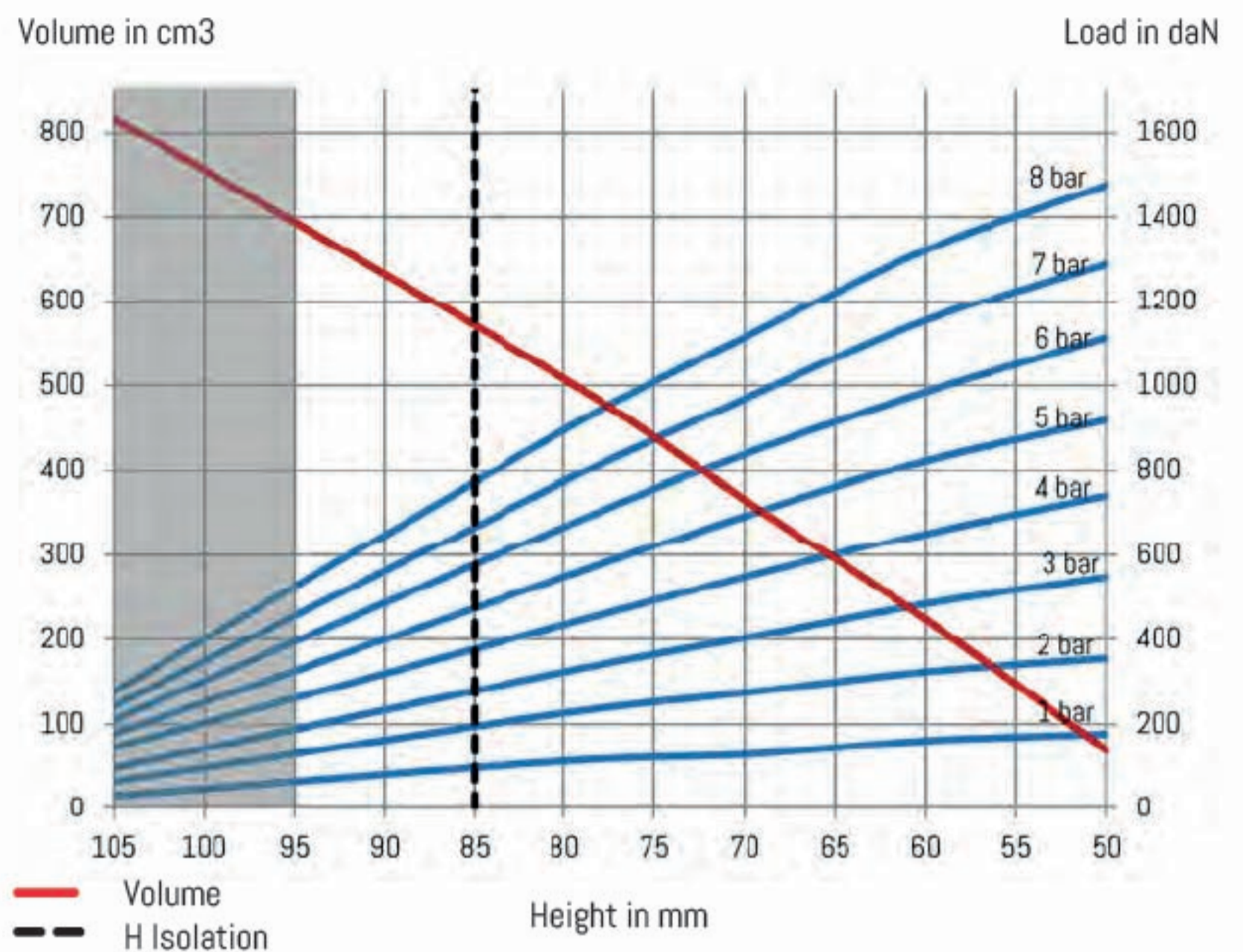
Maximum pressure	8 bar
Burst pressure	24 bar
Maximum angular capacity	10°
Maximum out of alignment	10 mm

Static diameter	152 mm
Maximum diameter	175 mm
Minimum overall diameter (Øe)	190 mm
Minimum height	50 mm
Static height (H)	80 mm
Maximum height	105 mm
Maximum recommended height	95 mm
Total stroke	55 mm
Effective area at static height	106 cm ²
Stiffness at 4 bar	76,70 daN/mm
Natural frequency at 4 bar	3,20 Hz
Weight	2,5 kg

Dynamic characteristics at H = 85mm*

Pressure	2 bar	4 bar	6 bar
Load (daN)	170	365	570
Volume (dm ³)	0,76	0,78	0,81
Stiffness (daN/mm)	94,3	174,0	249,0
Natural frequency (Hz)	3,71	3,43	3,30
Isolation rate at 10Hz %	84,1%	86,6%	87,8%

* Recommended height for better isolation



Temperatures

Chlorobutyl	-25°C (-35°C static)	+90°C (+100°C static)
-------------	----------------------	-----------------------

References

DB0617/B Bellow 1 convolute 6" x 1 Chlorobutyl steel bolted air inlet G^{1/2} centered

Characteristics in static condition (daN)

Height	2 bar	3 bar	4 bar	5 bar	6 bar	7 bar	8 bar	Vol 5 bar
50	355	548	742	919	1 113	1 290	1 476	69
60	323	484	653	823	984	1 153	1 322	224
70	274	403	548	694	839	968	1 113	366
80	226	323	435	548	669	774	895	508
85	197	281	383	486	588	680	786	573
95	134	191	267	336	406	468	540	699
105	65	97	145	177	210	242	276	817

Mounting instructions

Fastening torque M10 x 1,5 : 20 to 28 Nm

Indicative value of force to reach the minimum height at atmospheric pressure is 14 daN.