

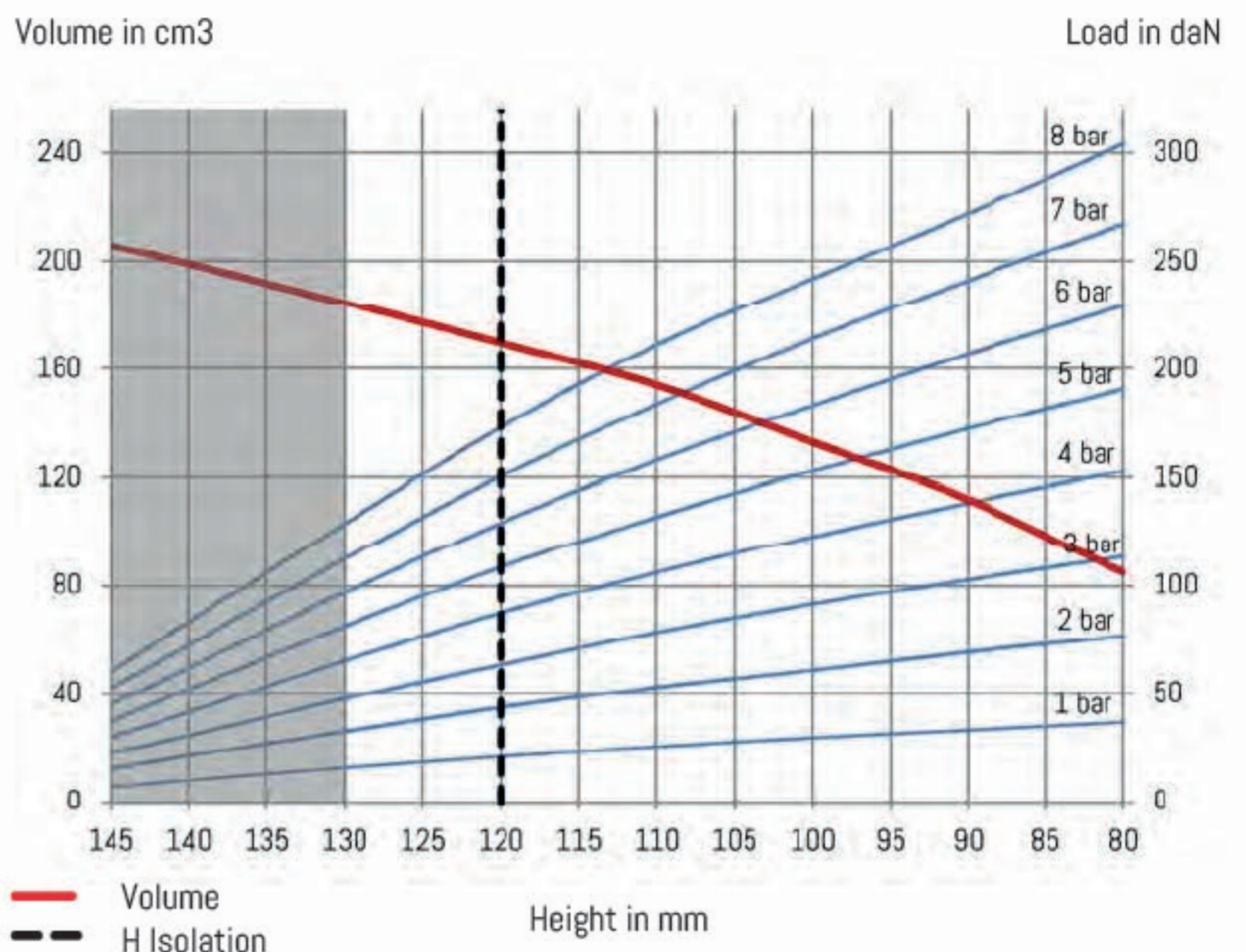
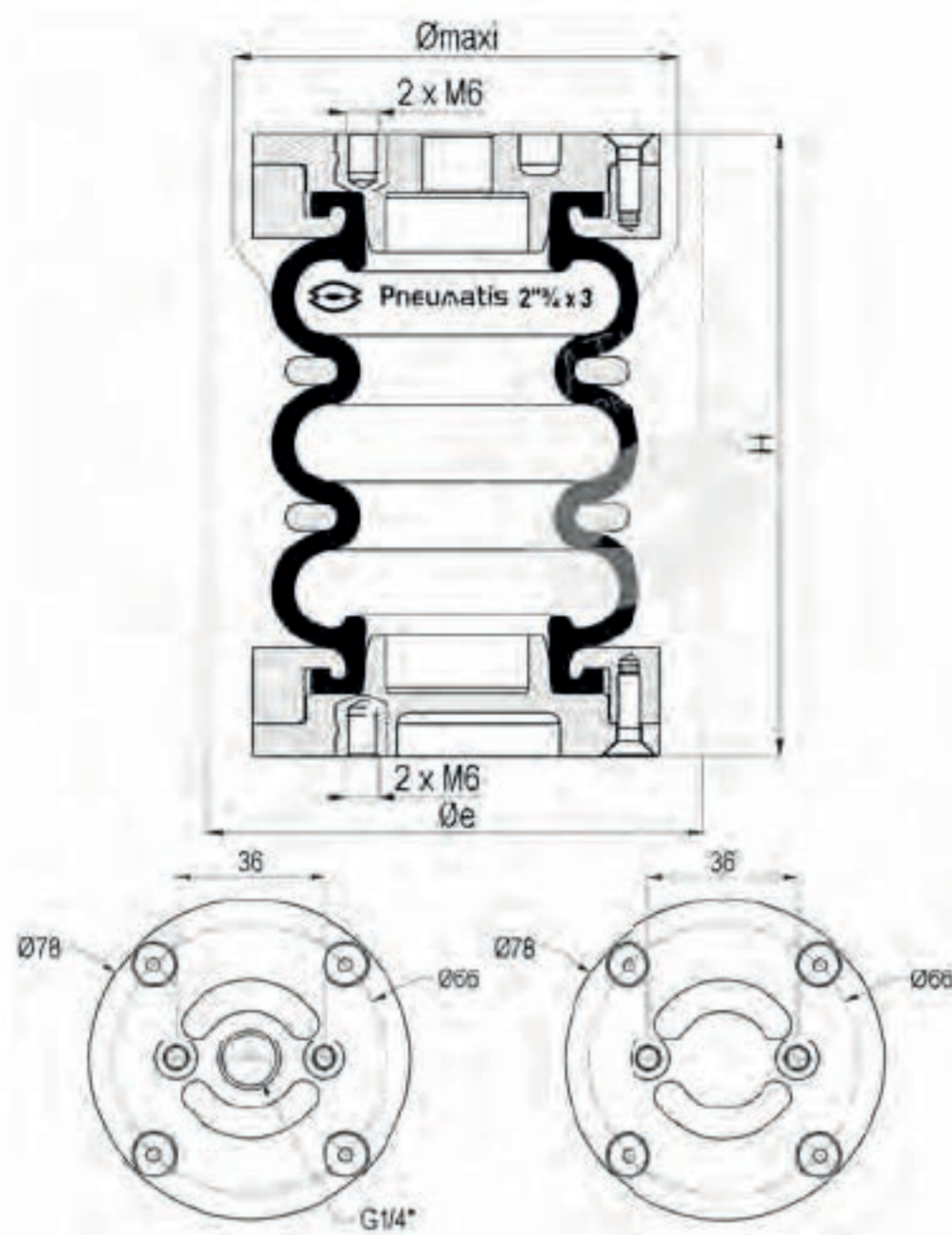
Bellow 2"¾ x 3 alu

DB0234/B



PNEUMATIS

INDUSTRY



Technical characteristics

Maximum pressure	8 bar
Burst pressure	24 bar
Maximum angular capacity	10°
Maximum out of alignment	10 mm

Static diameter	70 mm
Maximum diameter	80 mm
Minimum overall diameter (Øe)	95 mm
Minimum height	80 mm
Static height (H)	110 mm
Maximum height	145 mm
Maximum recommended height	130 mm
Total stroke	65 mm
Effective area at static height	24 cm²
Stiffness at 4 bar	36 daN/mm
Natural frequency at 4 bar	3,30 Hz
Weight	0,6 kg

Dynamic characteristics at H = 120mm*

Pressure	2 bar	4 bar	6 bar
Load (daN)	40	85	130
Volume (dm³)	0,197	0,199	0,202
Stiffness (daN/mm)	20,6	35,8	50,7
Natural frequency (Hz)	3,50	3,22	3,12
Isolation rate at 10Hz %	86,1%	88,4%	89,2%

* Recommended height for better isolation

Temperatures

Chlorobutyl	-25°C (-35°C static)	+90°C (+100°C static)
-------------	----------------------	-----------------------

References

DB0234/B Bellow 3 convolutes 2"¾ x 3 Chlorobutyl aluminium screwed air inlet G1/4 centered

Characteristics in static condition (daN)

Height	2 bar	3 bar	4 bar	5 bar	6 bar	7 bar	8 bar	Vol 5 bar
80	76	114	153	191	229	267	304	85
90	69	103	138	172	207	241	272	112
100	61	91	123	153	183	214	242	133
110	53	78	106	132	158	184	211	154
120	44	63	87	109	129	151	173	170
130	33	48	65	81	97	113	129	185
140	21	31	42	52	62	72	83	199
145	15	23	30	37	45	53	60	206

Mounting instructions

Fastening torque M5 x 0,8 : 5 Nm

Indicative value of force to reach the minimum height at atmospheric pressure is 80 daN.