

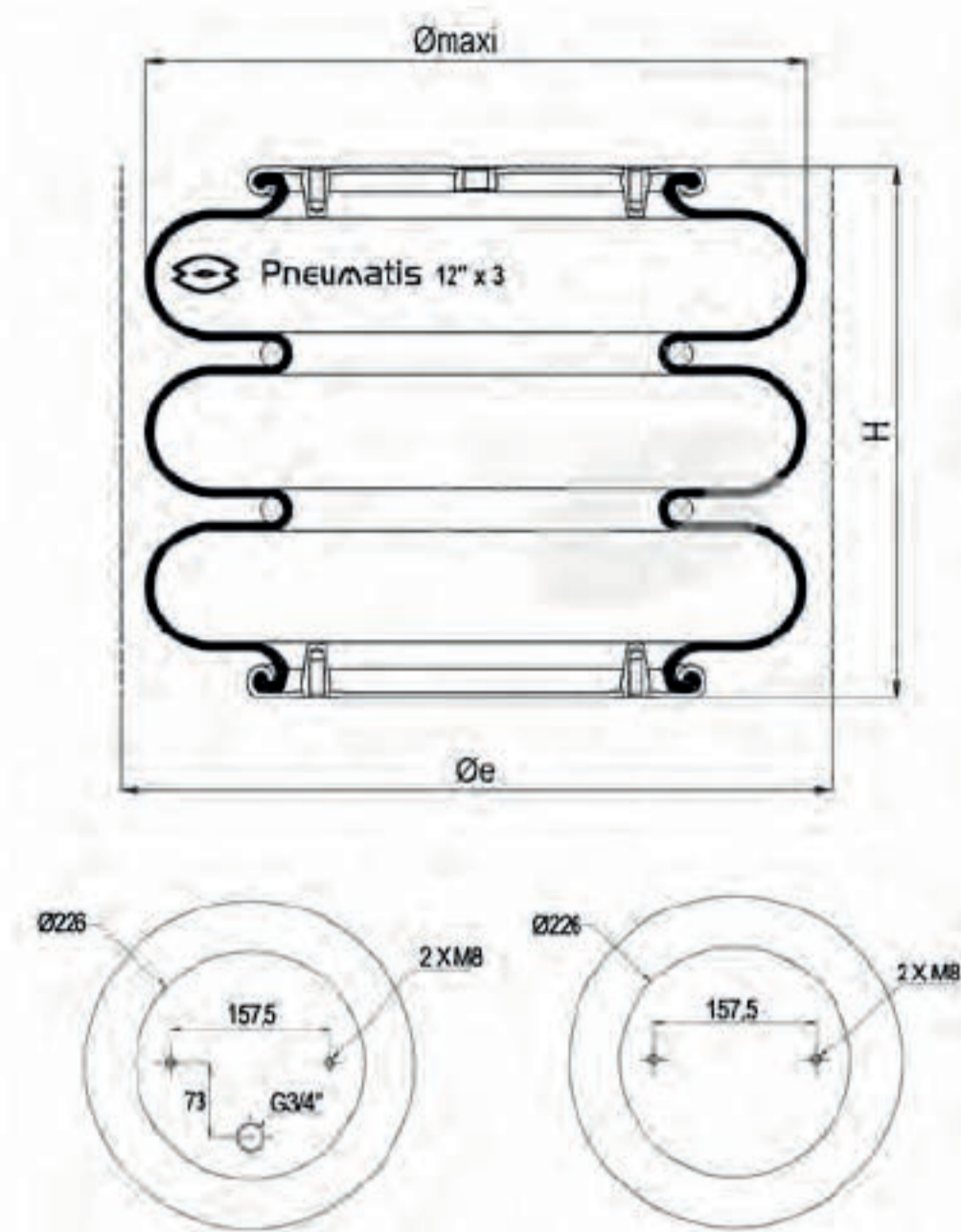
Crimped bellow 12" x 3

DBS123001



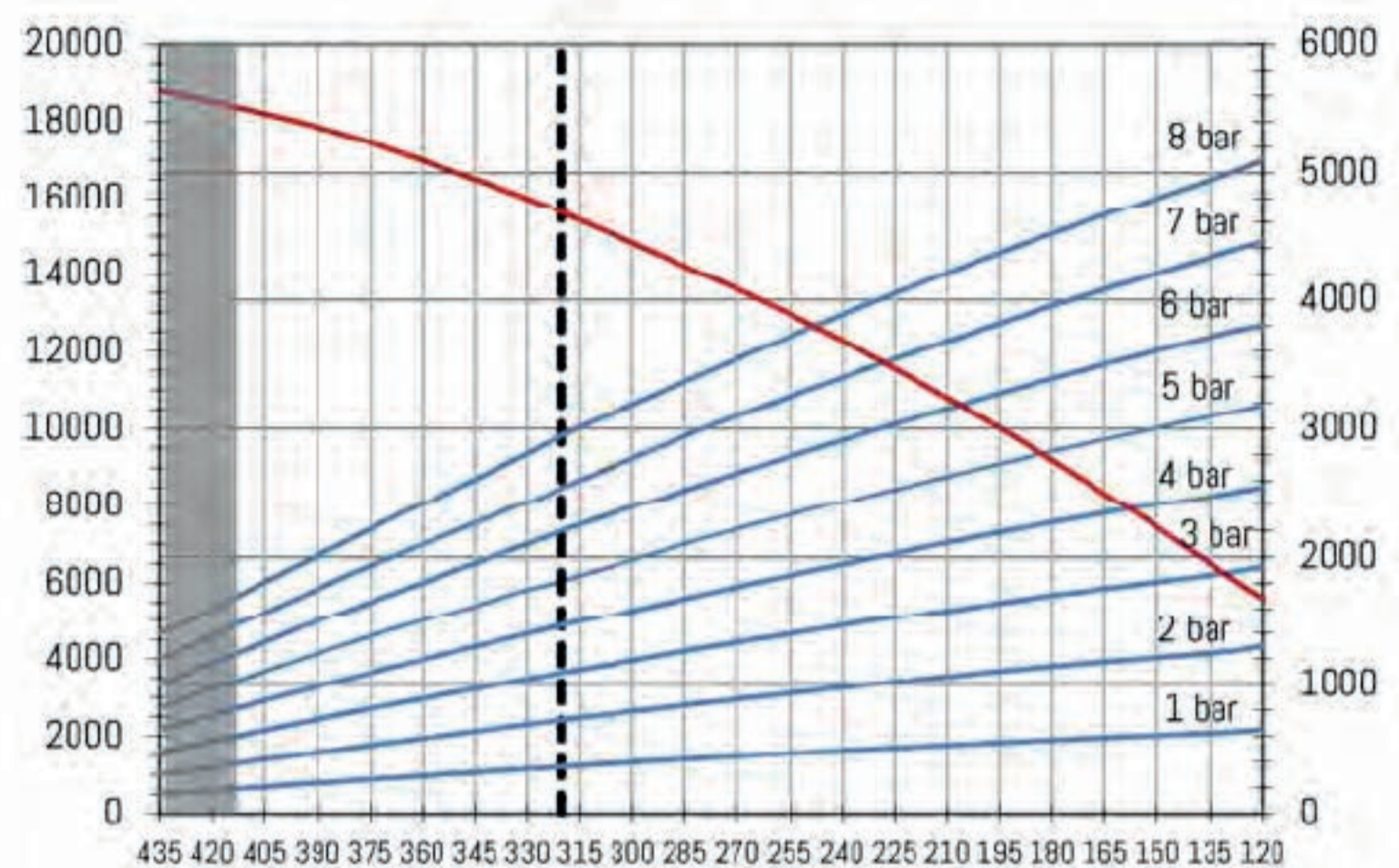
PNEUMATIS

INDUSTRY



Volume in cm³

Load in daN



— Volume

- - - H Isolation

Height in mm

Temperatures

Standard -40°C (-50°C static) +70°C (+90°C static)

Technical characteristics

Maximum pressure	8 bar
Burst pressure	27 bar
Maximum angular capacity	10°
Maximum out of alignment	10 mm

Static diameter	325 mm
Maximum diameter	325 mm
Minimum overall diameter (Øe)	350 mm
Minimum height	120 mm
Static height (H)	265 mm
Maximum height	435 mm
Maximum recommended height	415 mm
Total stroke	315 mm
Effective area at static height	450 cm ²
Stiffness at 4 bar	16,24 daN/mm
Natural frequency at 4 bar	1,50 Hz
Weight	7,00 kg

Dynamic characteristics at H = 320 mm*

Pressure	2 bar	4 bar	6 bar
Load (daN)	725	1460	2200
Volume (dm ³)	15,37	15,50	15,62
Stiffness (daN/mm)	6,9	12,4	17,8
Natural frequency (Hz)	1,54	1,45	1,42
Isolation rate at 10Hz %	97,6	97,8	97,9

* Recommended height for better isolation

References

DBS123001 Crimped bellow 3 convolutes 12" x 3 air inlet G^{3/4} shifted

Characteristics in static condition (daN)

Height	2 bar	3 bar	4 bar	5 bar	6 bar	7 bar	8 bar	Vol 6 bar
120 mm	1300	1925	2550	3175	3800	4450	5100	5600 cm ³
130 mm	1255	1880	2500	3125	3745	4370	4990	6200 cm ³
180 mm	1140	1705	2265	2830	3390	3955	4515	9200 cm ³
230 mm	1005	1505	2000	2500	2995	3495	3995	11800 cm ³
265 mm	900	1350	1800	2250	2700	3150	3600	13400 cm ³
280 mm	855	1285	1710	2140	2570	3000	3425	14000 cm ³
320 mm	725	1090	1460	1815	2200	2545	2905	15600 cm ³
330 mm	690	1045	1395	1750	2100	2455	2810	16000 cm ³
380 mm	510	785	1055	1330	1600	1875	2145	17600 cm ³
415 mm	380	590	800	1010	1220	1445	1670	18400 cm ³
420 mm	355	560	765	970	1170	1375	1580	18500 cm ³
435 mm	300	475	650	825	1000	1200	1400	18800 cm ³

Mounting instructions

Fastening torque M8 x 1,25 : 25 Nm

Indicative value of force to reach the minimum height at atmospheric pressure is 14 daN.

