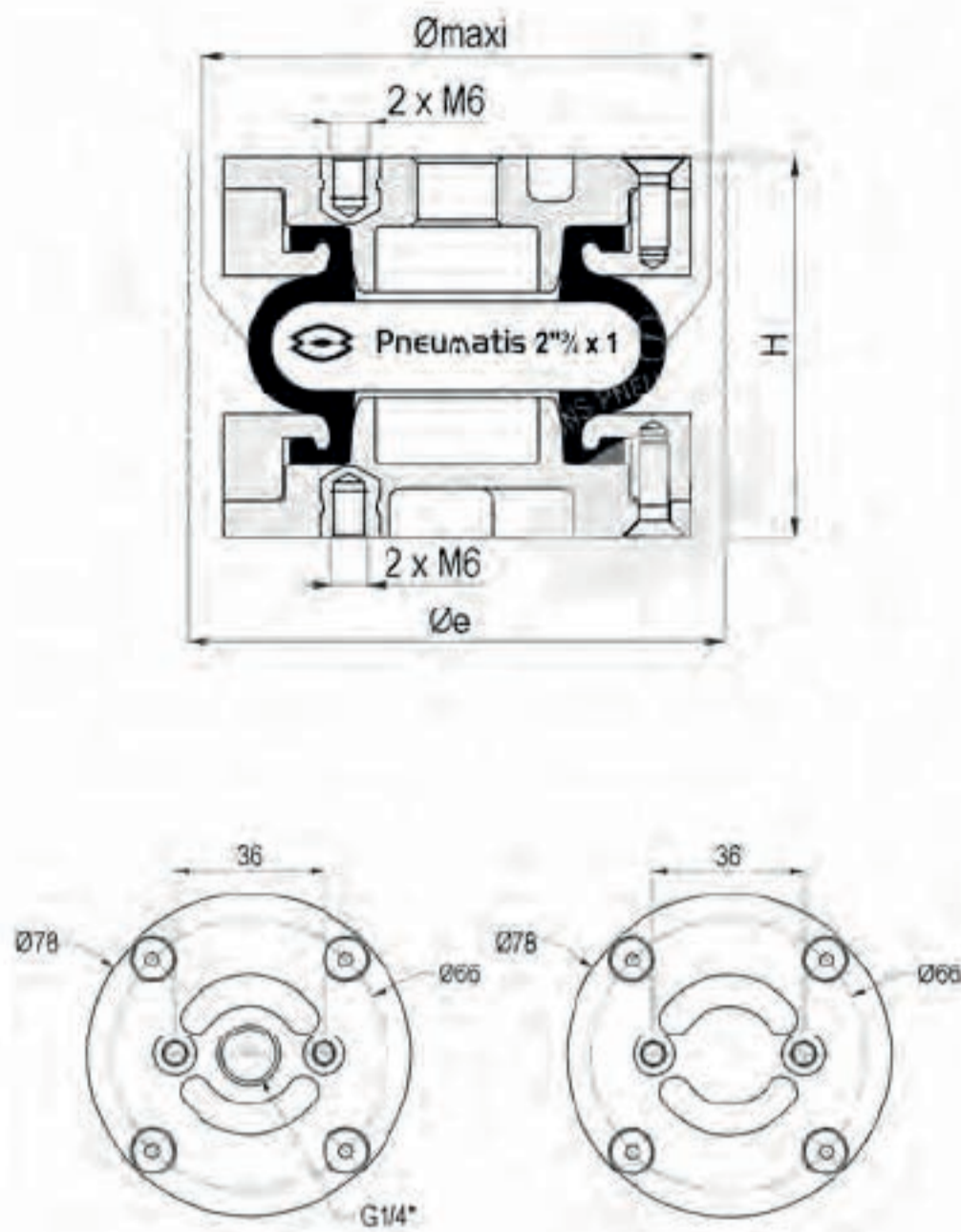


# Bellow 2" 3/4 x 1 alu

## DB0214/E

INDUSTRY



### Technical characteristics

Maximum pressure	8 bar
Burst pressure	50 bar
Maximum angular capacity	**
Maximum out of alignment	**

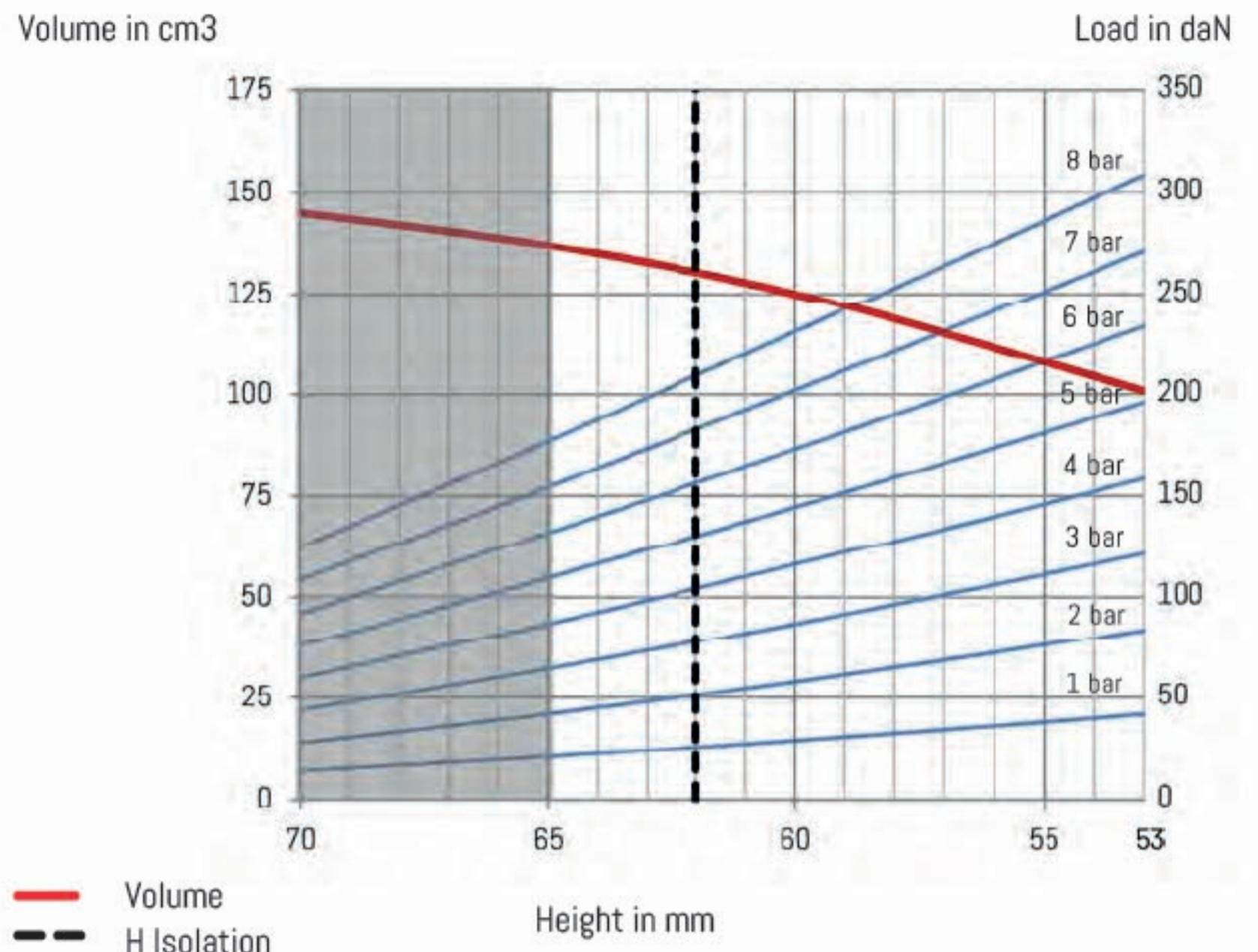
\*\* on demand

Static diameter	70 mm
Maximum diameter	80 mm
Minimum overall diameter (Øe)	95 mm
Minimum height	53 mm
Static height (H)	60 mm
Maximum height	70 mm
Maximum recommended height	65 mm
Total stroke	20 mm
Effective area at static height	29 cm <sup>2</sup>
Stiffness at 4 bar	13,12 daN/mm
Natural frequency at 4 bar	5,30 Hz
Weight	0,35 kg

### Dynamic characteristics at H = 62mm\*

Pressure	2 bar	4 bar	6 bar
Load (daN)	50	105	155
Volume (dm <sup>3</sup> )	0,115	0,122	0,130
Stiffness (daN/mm)	56,9	96,1	133,7
Natural frequency (Hz)	5,22	4,79	4,60
Isolation rate at 10Hz %	62,5%	70,3%	73,1%

\* Recommended height for better isolation



### Temperatures

Epichlore	-20°C (-30°C static)	+115°C (+120°C static)
-----------	----------------------	------------------------

### References

DB0214/E	Bellow 1 convolute 2" 3/4 x 1 Epichlore aluminium screwed air inlet G1/4 centered
----------	---

### Characteristics in static condition (daN)

Height	2 bar	3 bar	4 bar	5 bar	6 bar	7 bar	8 bar	Vol 5 bar
50	84	122	159	196	233	271	309	102
55	76	111	146	181	216	251	286	108
60	58	87	116	145	173	202	231	125
62	51	78	104	132	157	183	209	130
65	42	65	87	110	132	155	177	137
70	28	44	60	76	92	109	125	145

### Mounting instructions

Fastening torque M5 x 0,8 : 5 Nm

Indicative value of force to reach the minimum height at atmospheric pressure is 200 daN.