

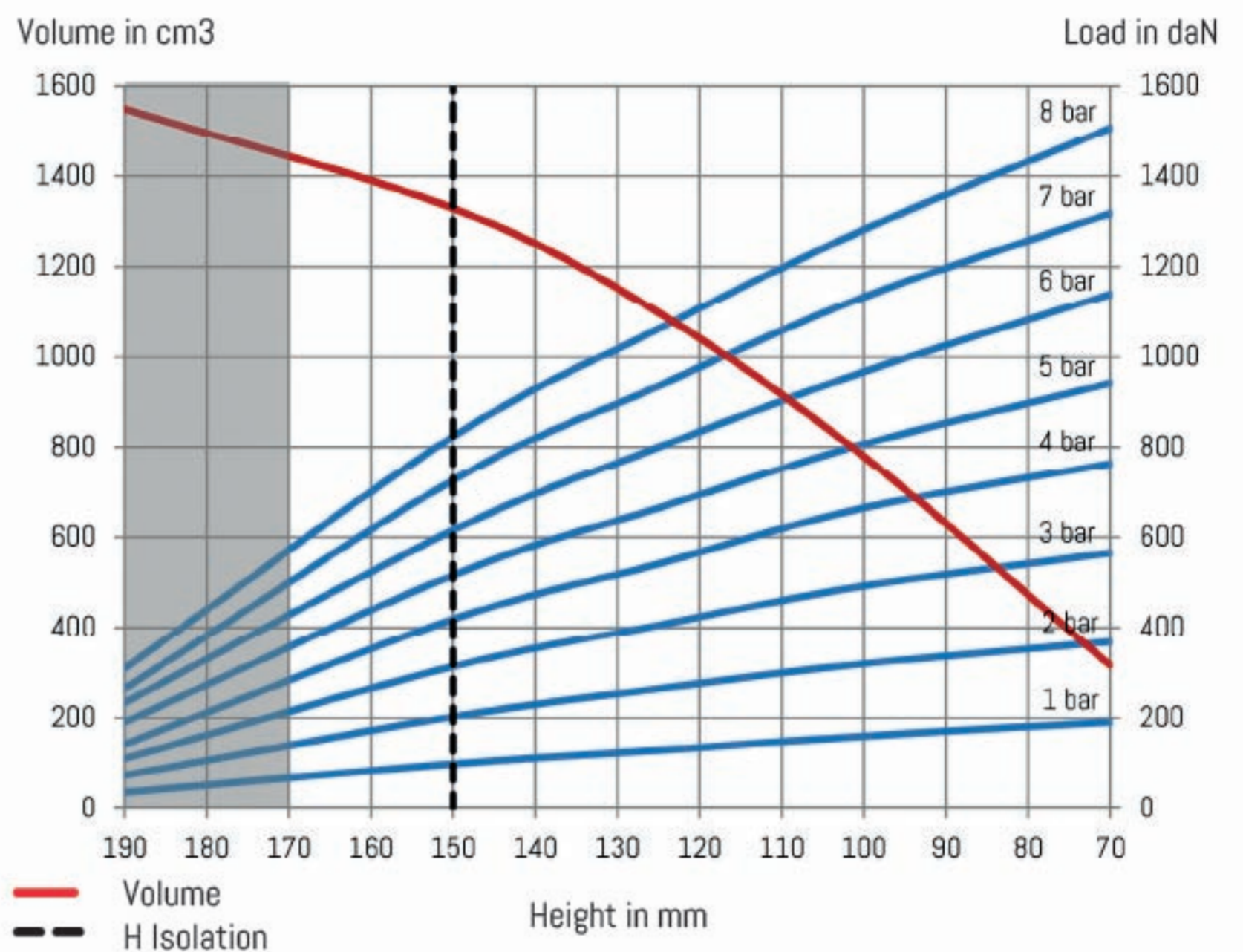
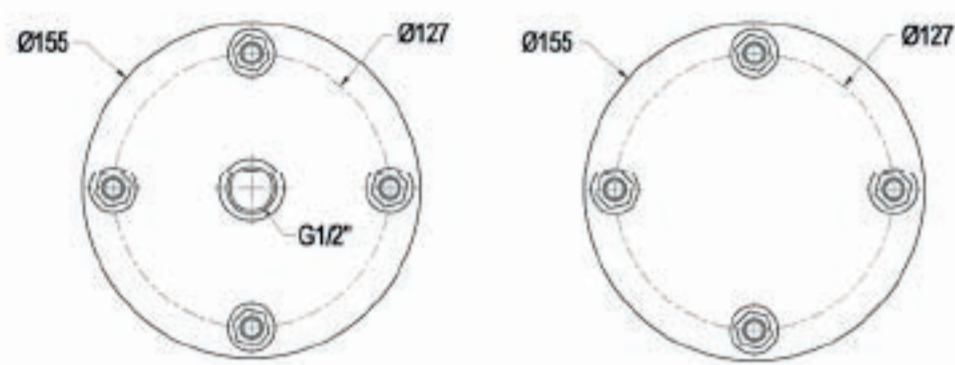
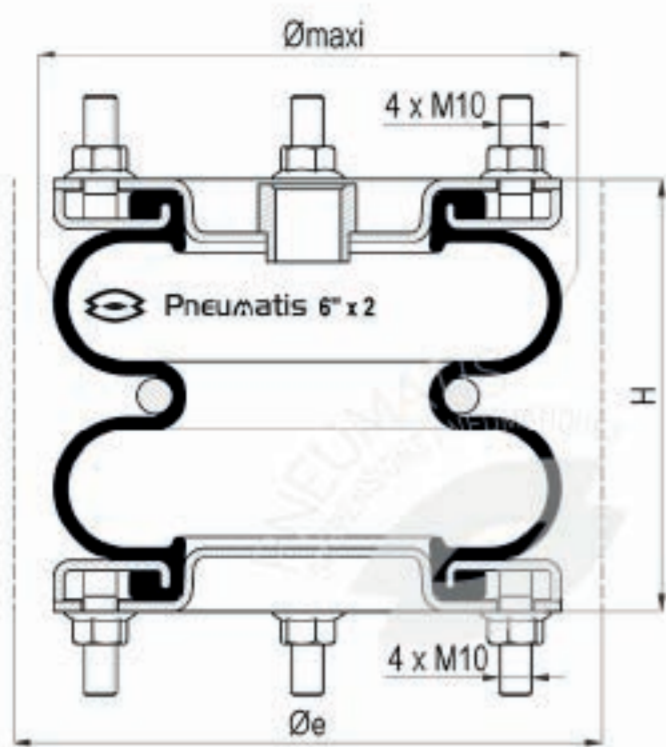
Bellow 6" x 2 Stainless steel

DB06216



PNEUMATIS

INDUSTRY



Technical characteristics

Maximum pressure	8 bar
Burst pressure	24 bar
Maximum angular capacity	10°
Maximum out of alignment	10 mm

Static diameter	152 mm
Maximum diameter	175 mm
Minimum overall diameter (Øe)	190 mm
Minimum height	70 mm
Static height (H)	130 mm
Maximum height	190 mm
Maximum recommended height	170 mm
Total stroke	120 mm
Effective area at static height	125 cm ²
Stiffness at 4 bar	24,9 daN/mm
Natural frequency at 4 bar	2,80 Hz
Weight	2,7 kg

Dynamic characteristics at H = 150mm*

Pressure	2 bar	4 bar	6 bar
Load (daN)	180	375	575
Volume (dm ³)	1,53	1,59	1,64
Stiffness (daN/mm)	45,5	81,7	116,9
Natural frequency (Hz)	2,51	2,33	2,25
Isolation rate at 10Hz %	93,3%	94,3%	94,7%

* Recommended height for better isolation

Temperatures

Standard	-40°C (-50°C static)	+70°C (+90°C static)
----------	----------------------	----------------------

References

DB06216	Bellow 2 convolutes 6" x 2 Stainless steel bolted air inlet G ^{1/2} centered
---------	---

Characteristics in static condition (daN)

Height	2 bar	3 bar	4 bar	5 bar	6 bar	7 bar	8 bar	Vol 5 bar
70	369	566	764	942	1 139	1 318	1 507	317
100	320	493	665	807	967	1 133	1 282	780
125	265	406	542	665	800	936	1 062	1098
130	254	391	525	641	768	902	1 021	1147
150	203	314	419	517	616	727	824	1329
170	142	216	287	359	433	505	575	1462
190	74	111	142	191	234	265	310	1549

Mounting instructions

Fastening torque M10 x 1,5 : 20 to 28 Nm

Indicative value of force to reach the minimum height at atmospheric pressure is 17 daN.