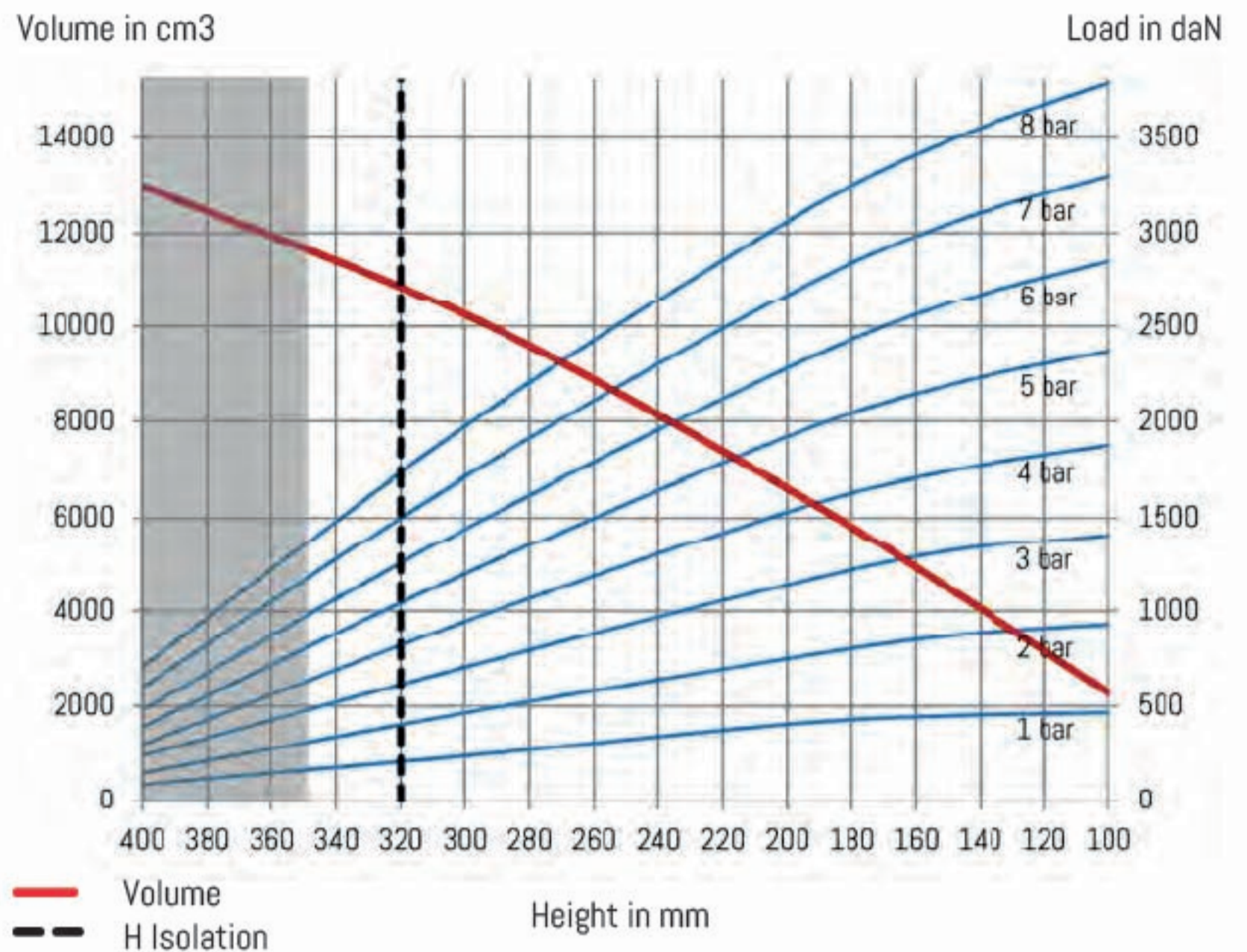
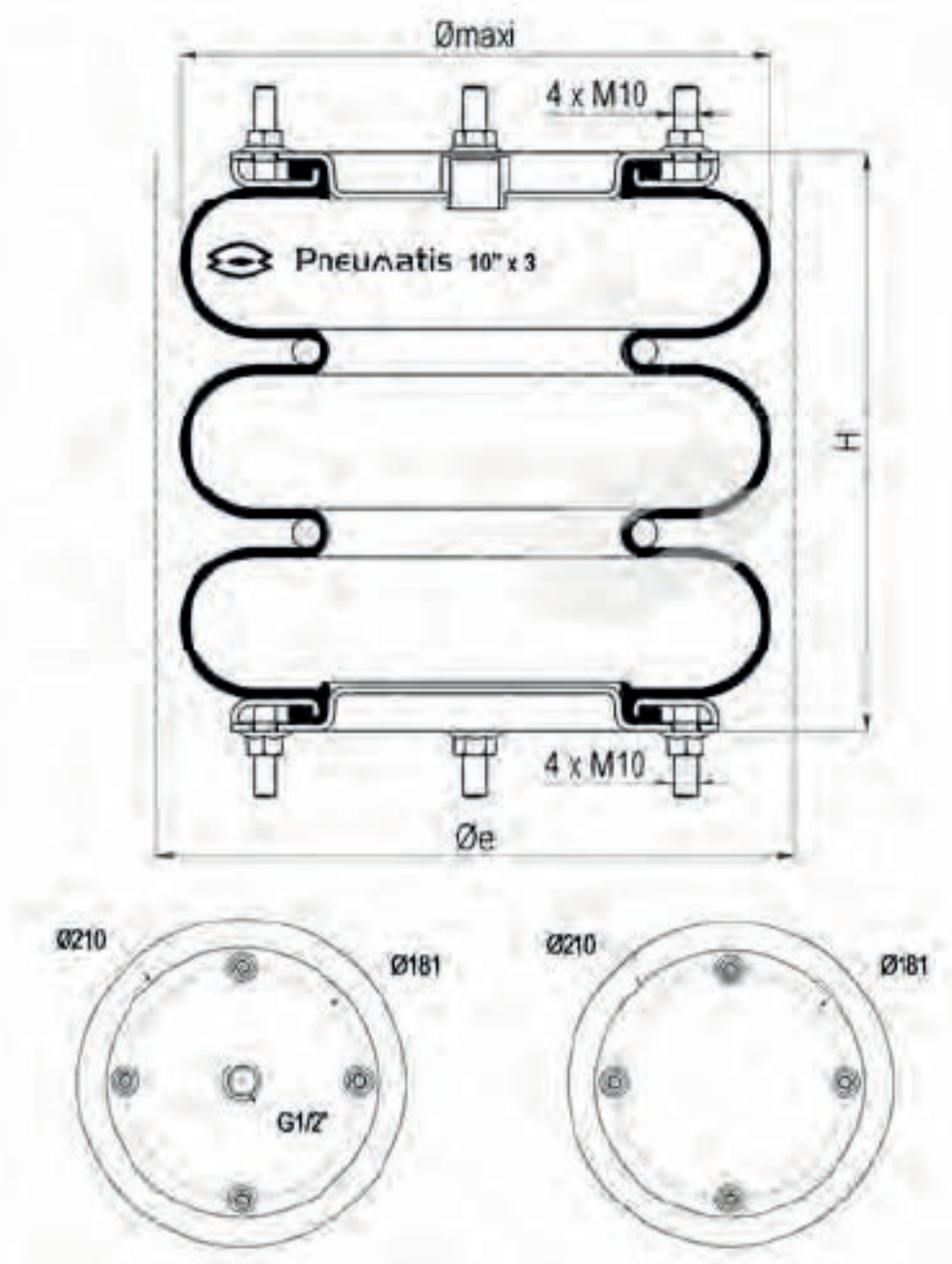


# Bellow 10" x 3 steel

## DB10317/B

INDUSTRY



### Technical characteristics

Maximum pressure	8 bar
Burst pressure	24 bar
Maximum angular capacity	15°
Maximum out of alignment	10 mm

Static diameter	254 mm
Maximum diameter	280 mm
Minimum overall diameter (Øe)	300 mm
Minimum height	100 mm
Static height (H)	250 mm
Maximum height	400 mm
Maximum recommended height	350 mm
Total stroke	300 mm
Effective area at static height	300 cm <sup>2</sup>
Stiffness at 4 bar	20 daN/mm
Natural frequency at 4 bar	1,75 Hz
Weight	5,6 Kg

### Dynamic characteristics at H = 320mm\*

Pressure	2 bar	4 bar	6 bar
Load (daN)	435	875	1 340
Volume (dm <sup>3</sup> )	9,32	9,65	9,98
Stiffness (daN/mm)	44	76	110
Natural frequency (Hz)	1,58	1,47	1,43
Isolation rate at 10Hz %	97,40%	97,80%	97,90%

\* Recommended height for better isolation

### Temperatures

Chlorobutyl	-25°C (-35°C static)	+90°C (+100°C static)
-------------	----------------------	-----------------------

### References

DB10317/B	Bellow 3 convolutes 10" x 3 2 ply Chlorobutyl steel bolted air inlet G <sup>1/2</sup> centered
-----------	--

### Characteristics in static condition (daN)

Height	2 bar	3 bar	4 bar	5 bar	6 bar	7 bar	8 bar	Vol 5 bar
100	930	1 410	1 875	2 370	2 850	3 300	3 784	2279
150	870	1 320	1 740	2 190	2 620	3 045	3 482	4494
200	750	1 140	1 530	1 920	2 280	2 670	3 058	6609
250	621	946	1 264	1 592	1 894	2 227	2 557	8516
300	465	705	945	1 200	1 440	1 710	1 974	10256
320	417	643	853	1 079	1 286	1 528	1 763	10828
350	319	499	654	832	995	1 192	1 382	11699
400	150	240	300	390	480	600	707	12981

### Mounting instructions

Fastening torque M10 x 1,5 : 20 to 28 Nm

Indicative value of force to reach the minimum height at atmospheric pressure is 11 daN.