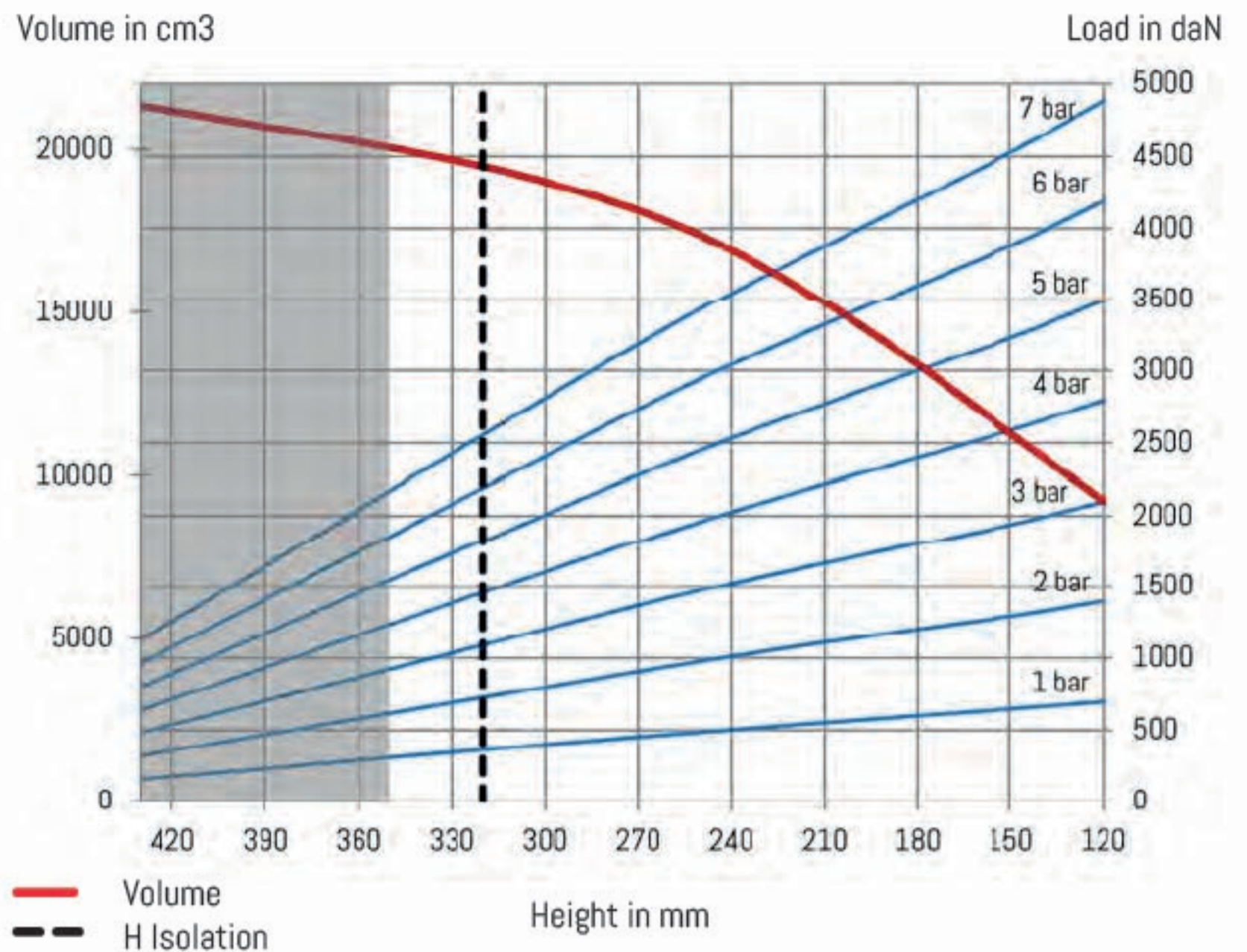
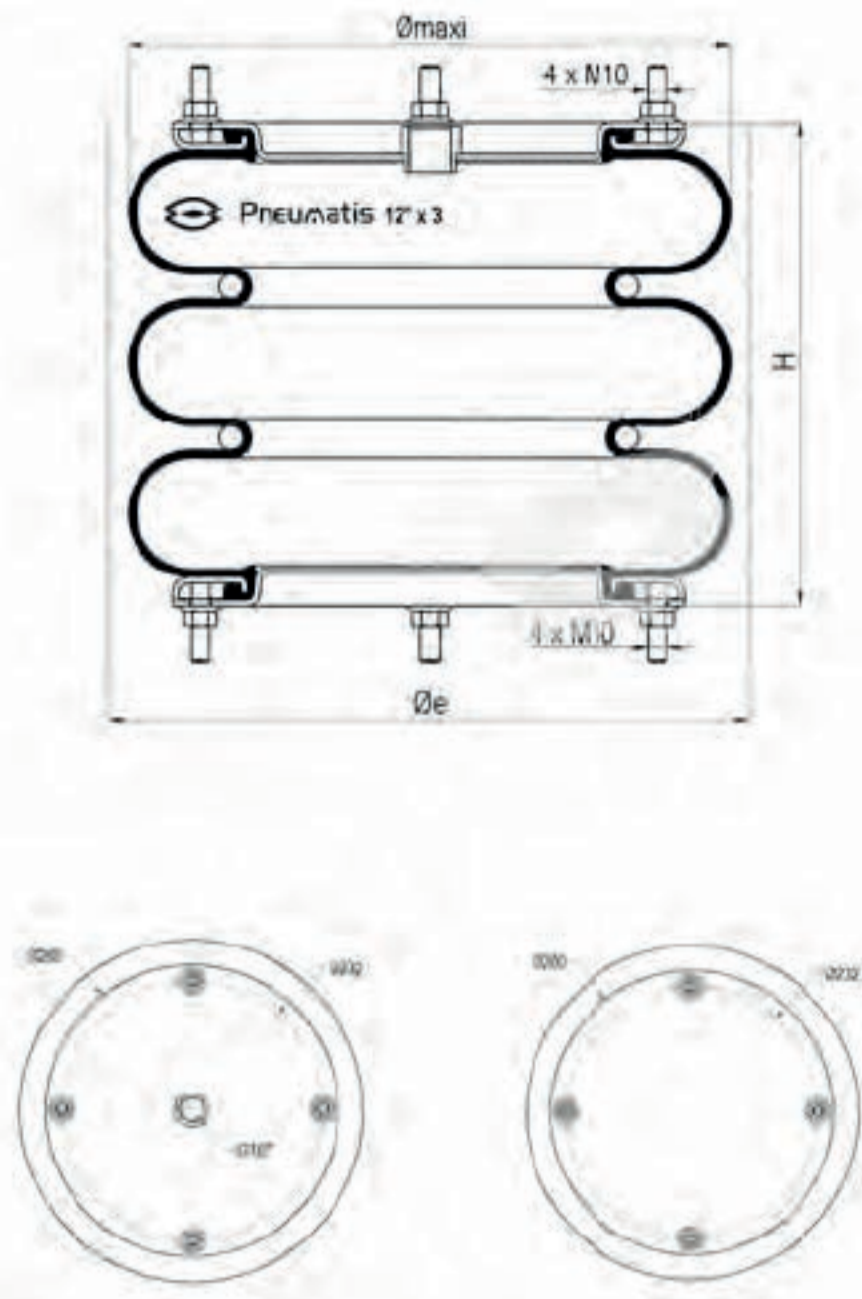


# Bellow 12" x 3 reinforced steel

DB1238/B

INDUSTRY



## Technical characteristics

Maximum pressure	8 bar
Burst pressure	24 bar
Maximum angular capacity	15°
Maximum out of alignment	10 mm

Static diameter	305 mm
Maximum diameter	330 mm
Minimum overall diameter (Øe)	350 mm
Minimum height	120 mm
Static height (H)	250 mm
Maximum height	430 mm
Maximum recommended height	350 mm
Total stroke	310 mm
Effective area at static height	490 cm <sup>2</sup>
Stiffness at 4 bar	30 daN/mm
Natural frequency at 4 bar	1,66 Hz
Weight	9 kg

## Dynamic characteristics at H = 320mm\*

Pressure	2 bar	4 bar	6 bar
Load (daN)	850	1595	2340
Volume (dm <sup>3</sup> )	13,7	13,9	14,1
Stiffness (daN/mm)	98	156	215
Natural frequency (Hz)	1,69	1,56	1,51
Isolation rate at 10Hz %	97,1%	97,5%	97,7%

\* Recommended height for better isolation

## Temperatures

Chlorobutyl	-25°C (-35°C static)	+90°C (+100°C static)
-------------	----------------------	-----------------------

## References

DB1238/B	Bellow 3 convolutes 12" x 3 4 ply chlorobutyl reinforced steel bolted air inlet G <sup>1/2</sup> centered
----------	---

## Characteristics in static condition (daN)

Height	2 bar	3 bar	4 bar	5 bar	6 bar	7 bar	8 bar	Vol 5 bar
120	1 395	2 097	2 794	3 489	4 189	4 884		9243
150	1 289	1 938	2 585	3 228	3 877	4 523		11305
200	1 140	1 710	2 279	2 848	3 417	3 984		14689
250	978	1 471	1 959	2 451	2 943	3 431	Contact us	17394
300	798	1 201	1 603	2 006	2 408	2 809		19025
320	730	1 090	1 455	1 830	2 193	2 555		19637
350	616	924	1 233	1 546	1 857	2 169		20067
400	432	646	861	1 077	1 295	1 509		20866
430	321	484	639	799	961	1 130	21334	

## Mounting instructions

Fastening torque M10 x 1,5 : 20 to 28 Nm

Indicative value of force to reach the minimum height at atmospheric pressure is 90 daN.