

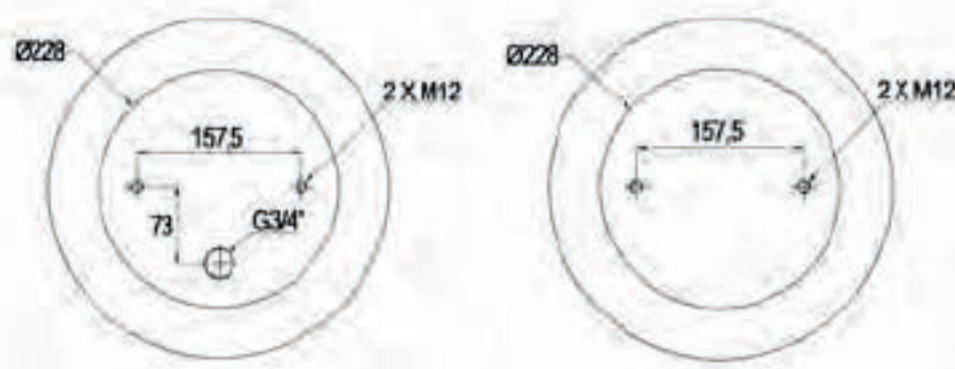
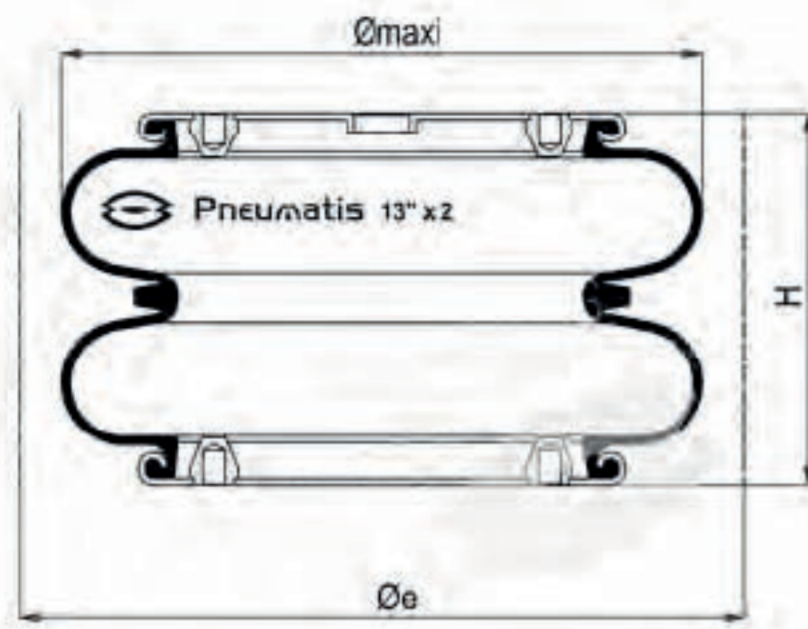
# Crimped bellow 13" x 2

DBS132001



PNEUMATIS

INDUSTRY



## Technical characteristics

Maximum pressure	8 bar
Burst pressure	24 bar
Maximum angular capacity	15°
Maximum out of alignment	10 mm

Static diameter	300 mm
Maximum diameter	310 mm
Minimum overall diameter (Øe)	340 mm
Minimum height	90 mm
Static height (H)	175 mm
Maximum height	260 mm
Maximum recommended height	230 mm
Total stroke	170 mm
Effective area at static height	462 cm <sup>2</sup>
Stiffness at 4 bar	21,33 daN/mm
Natural frequency at 4 bar	1,71 Hz
Weight	4,6 kg

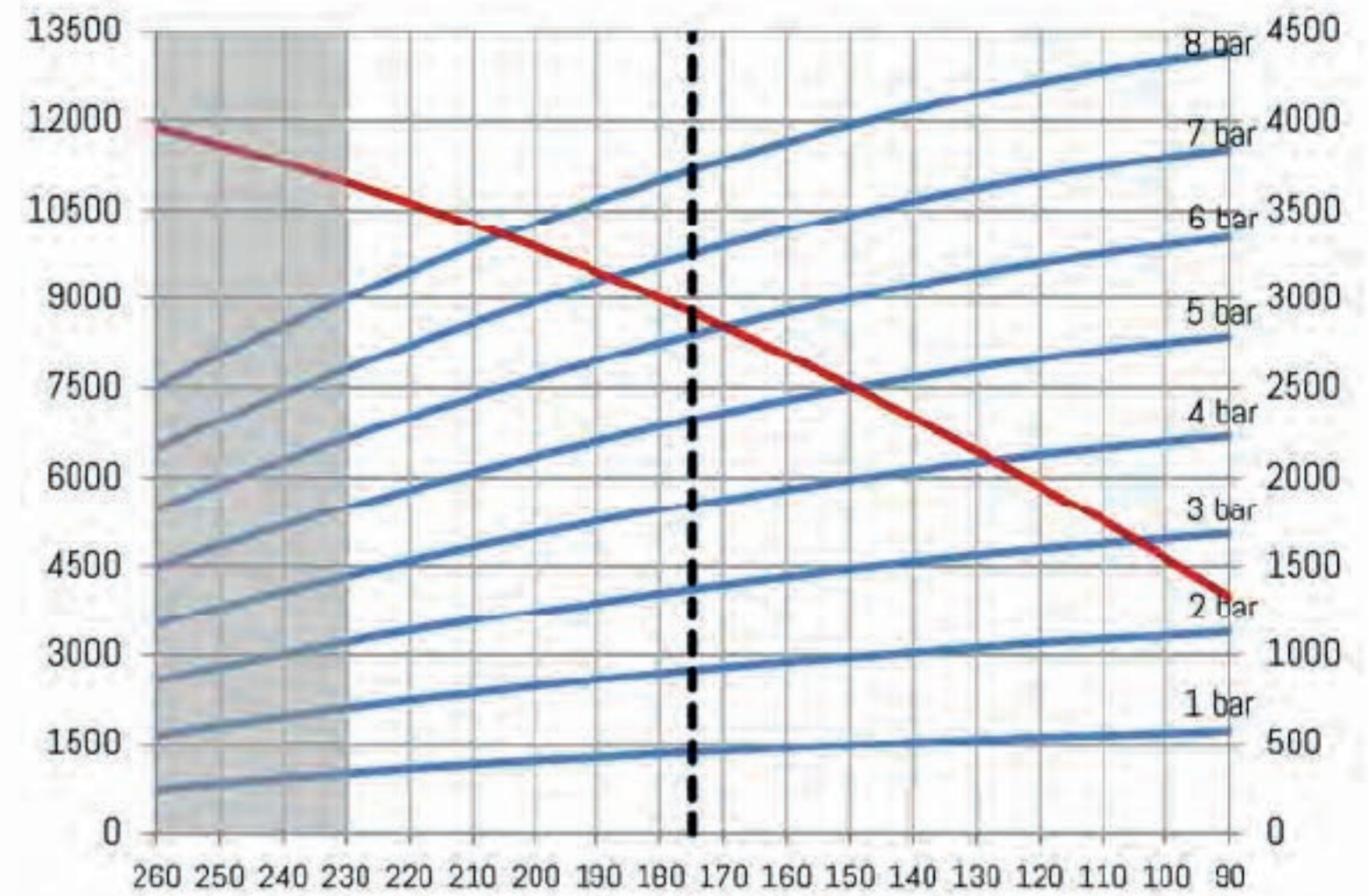
## Dynamic characteristics at H = 175mm\*

Pressure	2 bar	4 bar	6 bar
Load (daN)	912	1847	2797
Volume (dm <sup>3</sup> )	87,8	87,8	87,8
Stiffness (daN/mm)	11,23	21,33	29,69
Natural frequency (Hz)	1,75	1,71	1,67
Isolation rate at 10Hz %	96,8	97	97,2

\* Recommended height for better isolation

Volume in cm<sup>3</sup>

Load in daN



— Volume  
- - - H Isolation

Height in mm

## Temperatures

Standard	-40°C (-50°C static)	+70°C (+90°C static)
----------	----------------------	----------------------

## References

DBS132001 Crimped bellow 2 convolutes 13" x 2 air inlet G<sup>3/4</sup> shifted

## Characteristics in static condition (daN)

Height	2 bar	3 bar	4 bar	5 bar	6 bar	7 bar	8 bar	Vol 5 bar
90 mm	1126	1682	2230	2786	3340	3844	4384	3989 cm <sup>3</sup>
105 mm	1096	1639	2182	2730	3275	3774	4310	4954 cm <sup>3</sup>
120 mm	1065	1595	2127	2663	3196	3689	4216	5866 cm <sup>3</sup>
135 mm	1025	1544	2062	2585	3105	3589	4105	6727 cm <sup>3</sup>
150 mm	986	1487	1989	2496	3000	3474	3977	7536 cm <sup>3</sup>
165 mm	946	1423	1907	2396	2882	3344	3832	8293 cm <sup>3</sup>
175 mm	912	1376	1847	2322	2797	3248	3725	8776 cm <sup>3</sup>
180 mm	897	1352	1816	2284	2750	3198	3669	8999 cm <sup>3</sup>
195 mm	843	1274	1716	2161	2606	3038	3490	9653 cm <sup>3</sup>
210 mm	784	1193	1607	2028	2448	2862	3292	10255 cm <sup>3</sup>
225 mm	723	1105	1489	1883	2277	2671	3076	10806 cm <sup>3</sup>
230 mm	696	1064	1445	1828	2218	2602	3000	10987 cm <sup>3</sup>
240 mm	652	1000	1362	1726	2093	2464	2845	11305 cm <sup>3</sup>
255 mm	579	896	1226	1559	1895	2243	2595	11753 cm <sup>3</sup>
260 mm	548	854	1170	1495	1821	2160	2505	11891 cm <sup>3</sup>

## Mounting instructions

Fastening torque M8 x 1,25 : 25 Nm

Indicative value of force to reach the minimum height at atmospheric pressure is 10 daN.