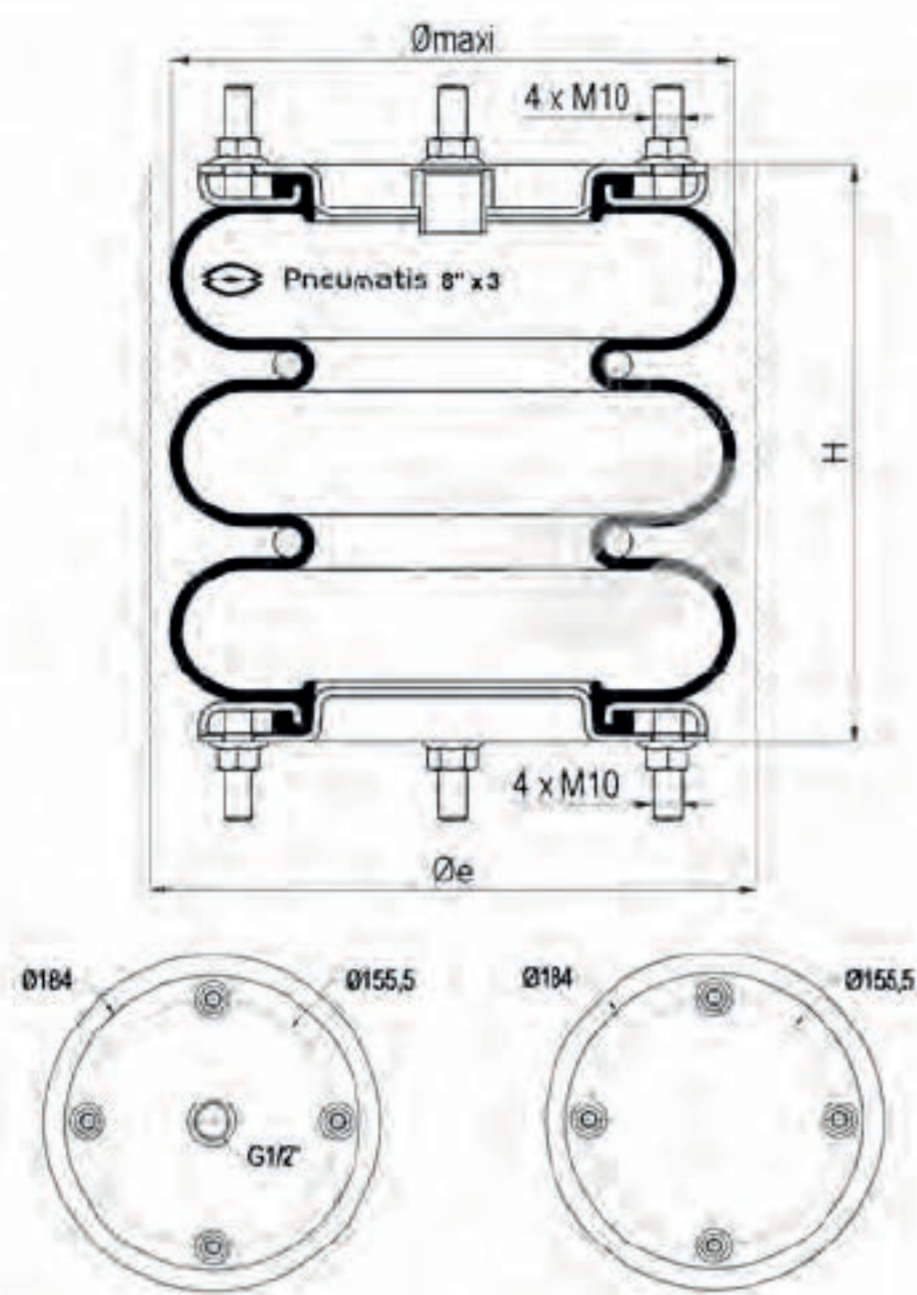


Bellow 8" x 3 steel

DB0838/B

INDUSTRY



Technical characteristics

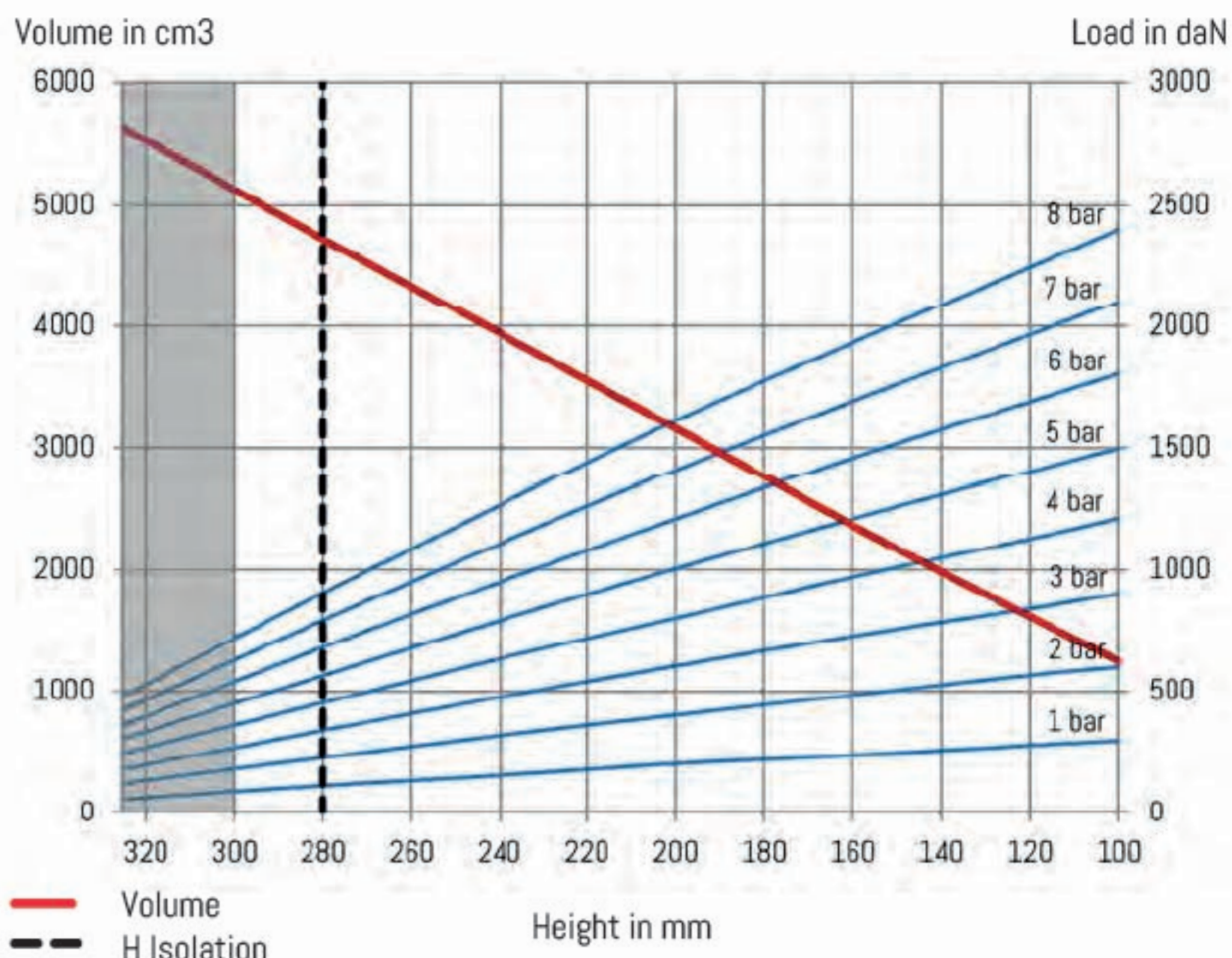
| | |
|--------------------------|--------|
| Maximum pressure | 8 bar |
| Burst pressure | 24 bar |
| Maximum angular capacity | 10° |
| Maximum out of alignment | 10 mm |

| | |
|----------------------------------------------|---------------------|
| Static diameter | 204 mm |
| Maximum diameter | 230 mm |
| Minimum overall diameter (\varnothing_e) | 245 mm |
| Minimum height | 100 mm |
| Static height (H) | 205 mm |
| Maximum height | 325 mm |
| Maximum recommended height | 300 mm |
| Total stroke | 225 mm |
| Effective area at static height | 194 cm ² |
| Stiffness at 4 bar | 11,75 daN/mm |
| Natural frequency at 4 bar | 1,75 Hz |
| Weight | 4,3 kg |

Dynamic characteristics at H = 280mm*

| | | | |
|---------------------------|-------|-------|-------|
| Pressure | 2 bar | 4 bar | 6 bar |
| Load (daN) | 250 | 535 | 820 |
| Volume (dm ³) | 4,77 | 5,05 | 5,32 |
| Stiffness (daN/mm) | 33,4 | 60,2 | 85,1 |
| Natural frequency (Hz) | 1,82 | 1,67 | 1,60 |
| Isolation rate at 10Hz % | 96,6% | 97,1% | 97,4% |

* Recommended height for better isolation



Temperatures

| | | |
|-------------|----------------------|-----------------------|
| Chlorobutyl | -25°C (-35°C static) | +90°C (+100°C static) |
|-------------|----------------------|-----------------------|

References

| | |
|----------|-----------------------------------------------------------------------------|
| DB0838/B | Bellow 3 convolutes 8" x 3 Chlorobutyl steel bolted air inlet G1/2 centered |
|----------|-----------------------------------------------------------------------------|

Characteristics in static condition (daN)

| Height | 2 bar | 3 bar | 4 bar | 5 bar | 6 bar | 7 bar | 8 bar | Vol 5 bar |
|--------|-------|-------|-------|-------|-------|-------|-------|-----------|
| 100 | 600 | 901 | 1 209 | 1 498 | 1 804 | 2 104 | 2 402 | 1246 |
| 120 | 566 | 839 | 1 126 | 1 402 | 1 689 | 1 965 | 2 246 | 1612 |
| 160 | 485 | 726 | 970 | 1 207 | 1 458 | 1 691 | 1 932 | 2362 |
| 200 | 403 | 604 | 799 | 1 004 | 1 206 | 1 407 | 1 611 | 3161 |
| 205 | 392 | 587 | 781 | 976 | 1 176 | 1 366 | 1 564 | 3249 |
| 240 | 319 | 476 | 633 | 789 | 949 | 1 106 | 1 262 | 3943 |
| 280 | 229 | 340 | 453 | 565 | 680 | 791 | 904 | 4726 |
| 300 | 180 | 269 | 364 | 451 | 539 | 626 | 718 | 5132 |
| 325 | 124 | 182 | 247 | 306 | 362 | 424 | 481 | 5635 |

Mounting instructions

Fastening torque M10 x 1,5 : 20 to 28 Nm

Indicative value of force to reach the minimum height at atmospheric pressure is 15 daN.