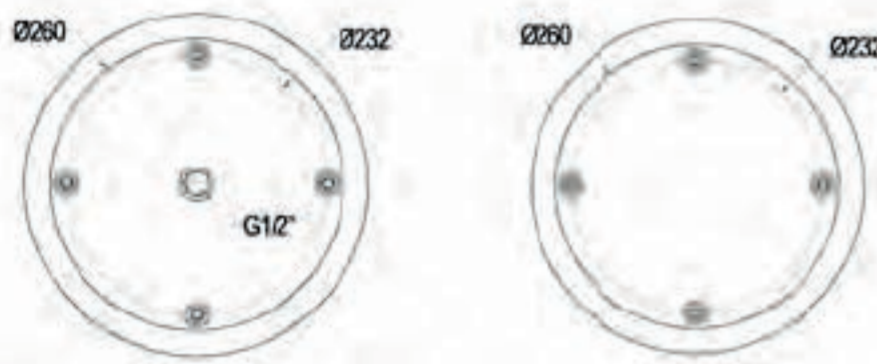
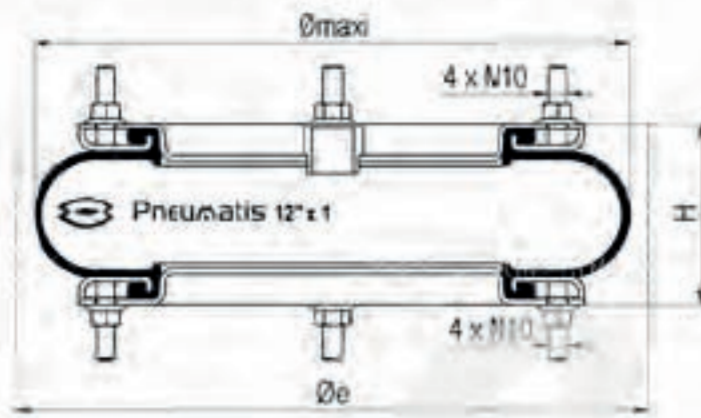


# Bellow 12" x 1 steel

## DB1217/E

INDUSTRY



### Technical characteristics

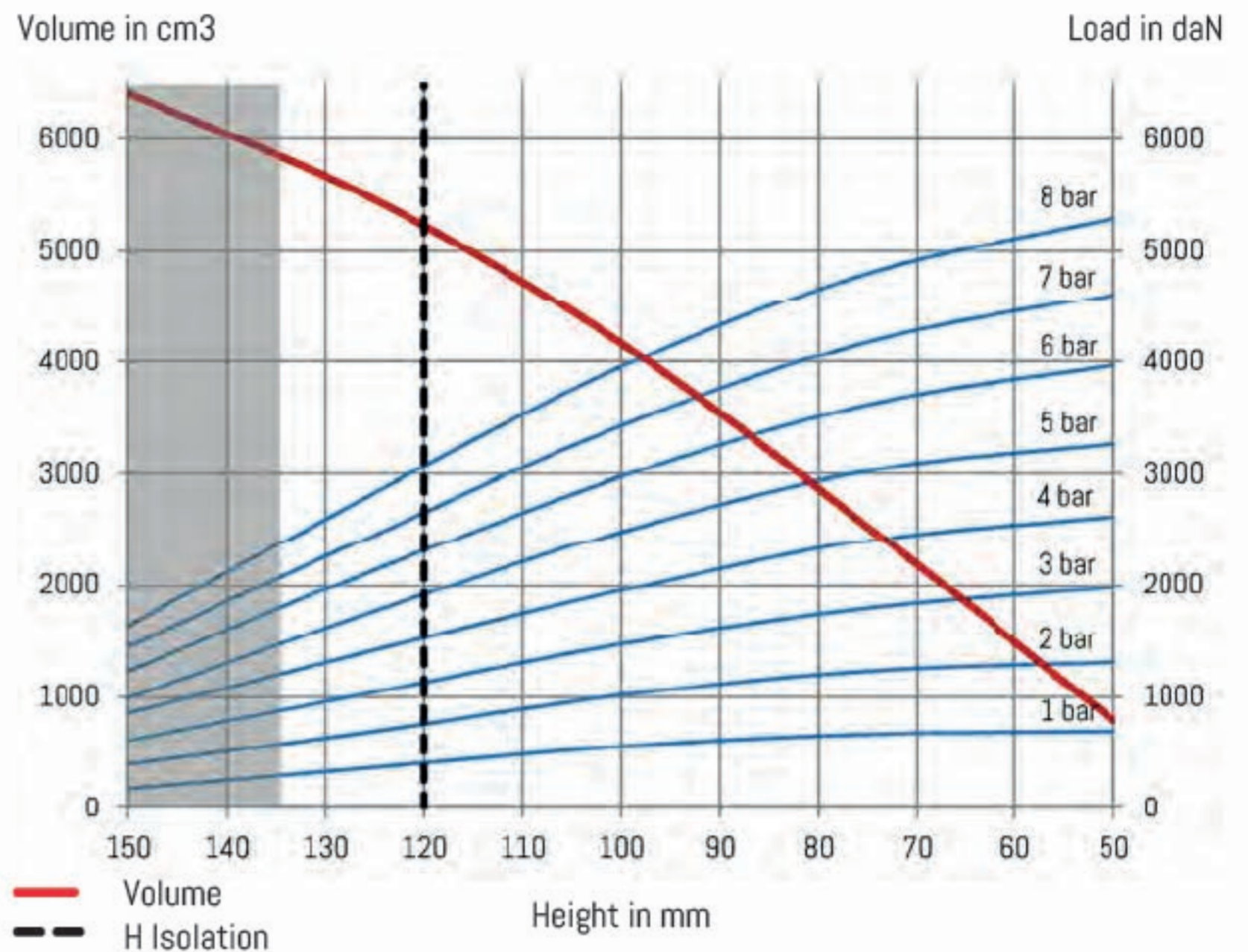
Maximum pressure	8 bar
Burst pressure	24 bar
Maximum angular capacity	15°
Maximum out of alignment	10 mm

Static diameter	305 mm
Maximum diameter	330 mm
Minimum overall diameter (Øe)	350 mm
Minimum height	50 mm
Static height (H)	100 mm
Maximum height	150 mm
Maximum recommended height	135 mm
Total stroke	100 mm
Effective area at static height	477 cm <sup>2</sup>
Stiffness at 4 bar	87,00 daN/mm
Natural frequency at 4 bar	2,70 Hz
Weight	5,2 kg

### Dynamic characteristics at H = 120mm\*

Pressure	2 bar	4 bar	6 bar
Load (daN)	795	1625	2455
Volume (dm <sup>3</sup> )	4,95	5,12	5,28
Stiffness (daN/mm)	230	413	588
Natural frequency (Hz)	2,69	2,51	2,44
Isolation rate at 10Hz %	92,2%	93,3%	93,7%

\* Recommended height for better isolation



### Temperatures

Epichlore	-20°C (-30°C static)	+115°C (+120°C static)
-----------	----------------------	------------------------

### References

DB1217/E	Bellow 1 convolute 12" x 1 Epichlore steel bolted air inlet G <sup>1/2</sup> centered
----------	---

### Characteristics in static condition (daN)

Height	2 bar	3 bar	4 bar	5 bar	6 bar	7 bar	8 bar	Vol 5 bar
50	1 312	1 982	2 625	3 268	3 964	4 607	5 291	792
75	1 232	1 795	2 411	3 027	3 616	4 179	4 799	2532
100	1 018	1 473	1 955	2 491	2 976	3 429	3 954	4165
120	795	1 161	1 567	1 966	2 360	2 718	3 127	5190
125	696	1 045	1 420	1 768	2 143	2 464	2 838	5459
135	603	897	1 222	1 499	1 820	2 104	2 411	5858
150	402	616	857	991	1 232	1 446	1 637	6407

### Mounting instructions

Fastening torque M10 x 1,5 : 20 to 28 Nm

Indicative value of force to reach the minimum height at atmospheric pressure is 9 daN.