

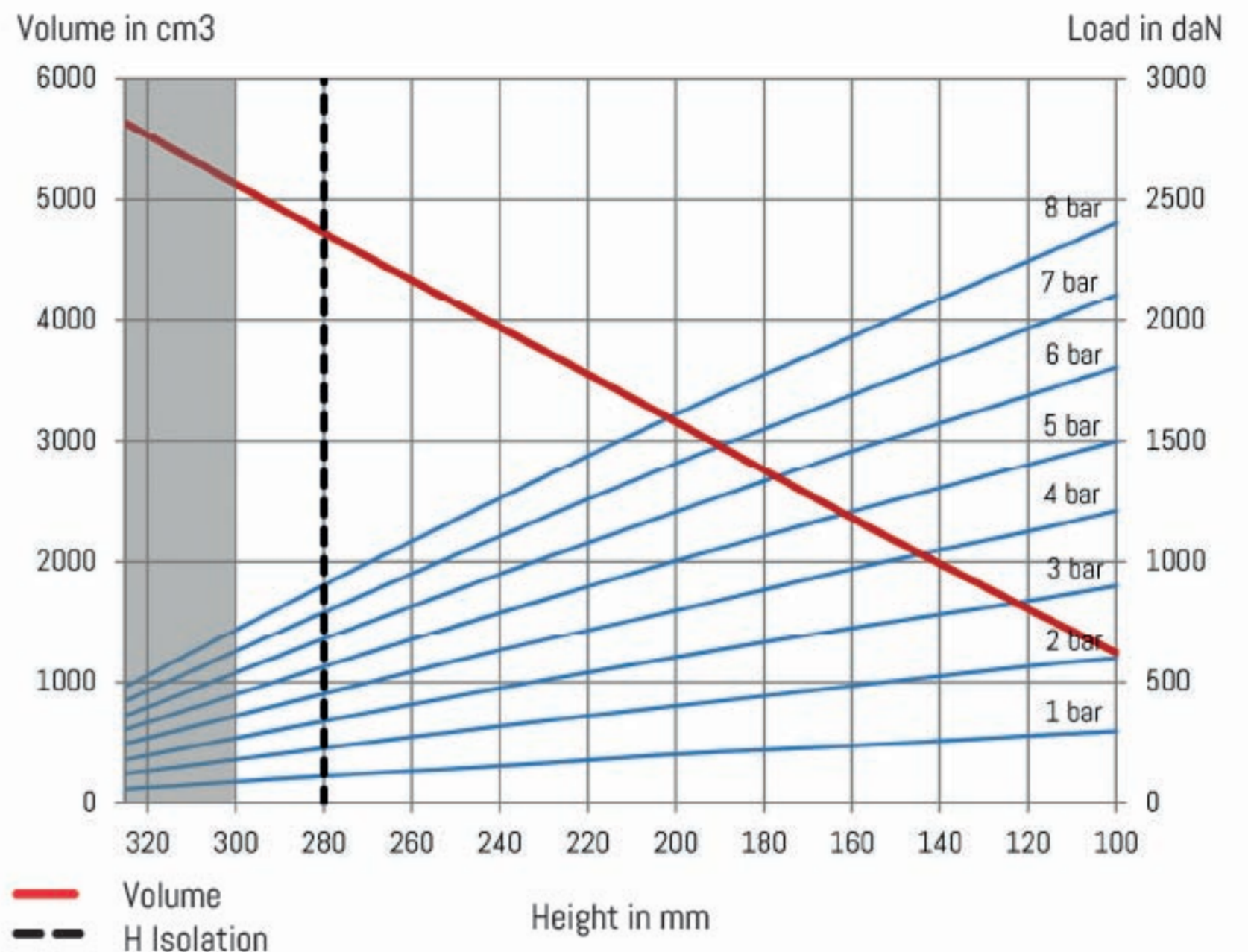
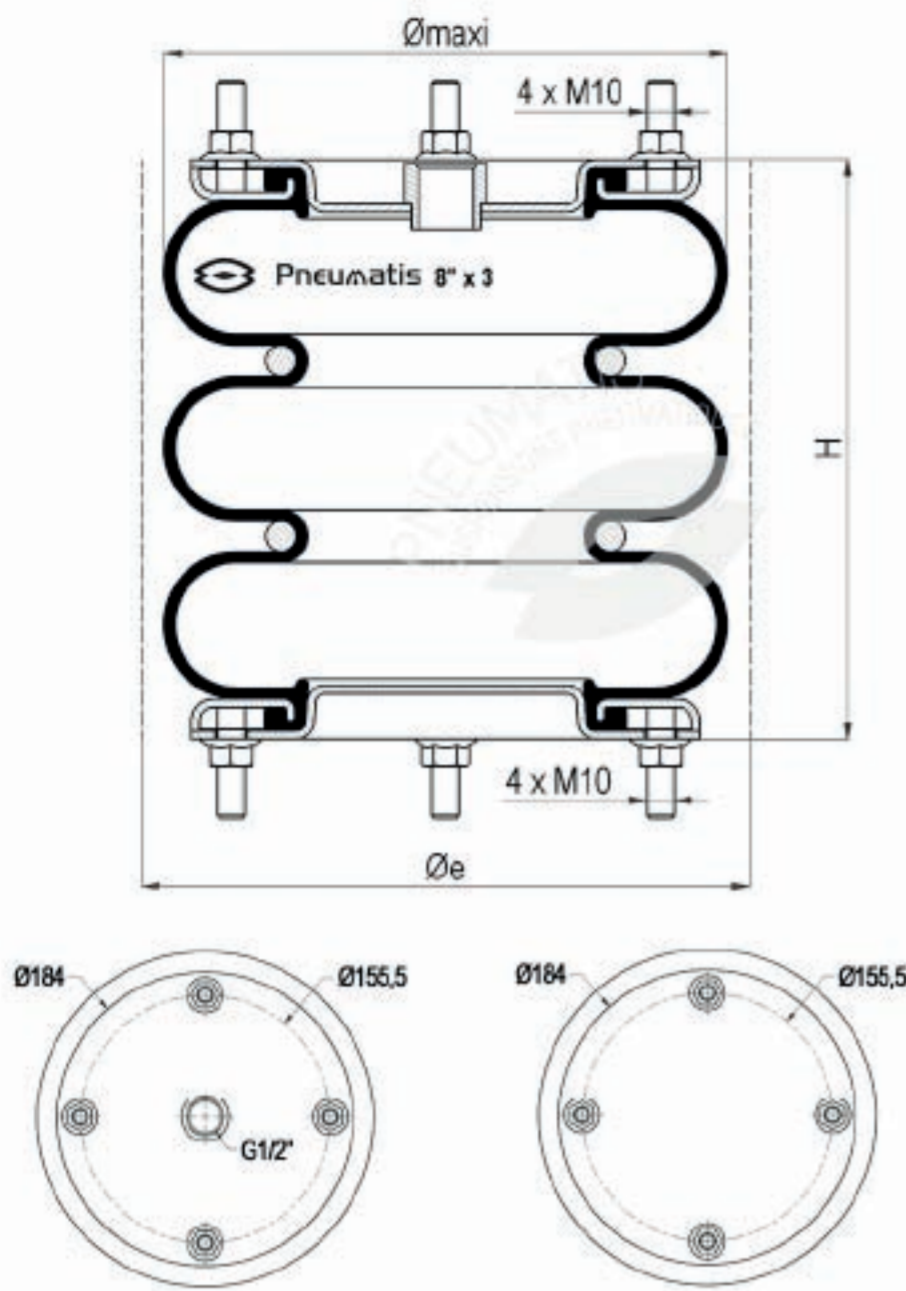
# Bellow 8" x 3 Stainless steel

DB08311



PNEUMATIS

INDUSTRY



## Technical characteristics

Maximum pressure	8 bar
Burst pressure	24 bar
Maximum angular capacity	10°
Maximum out of alignment	10 mm

Static diameter	204 mm
Maximum diameter	230 mm
Minimum overall diameter (Øe)	245 mm
Minimum height	100 mm
Static height (H)	205 mm
Maximum height	325 mm
Maximum recommended height	300 mm
Total stroke	225 mm
Effective area at static height	194 cm <sup>2</sup>
Stiffness at 4 bar	11,75 daN/mm
Natural frequency at 4 bar	1,75 Hz
Weight	4,3 kg

## Dynamic characteristics at H = 280mm\*

Pressure	2 bar	4 bar	6 bar
Load (daN)	250	535	820
Volume (dm <sup>3</sup> )	4,77	5,05	5,32
Stiffness (daN/mm)	33,4	60,2	85,1
Natural frequency (Hz)	1,82	1,67	1,60
Isolation rate at 10Hz %	96,6%	97,1%	97,4%

\* Recommended height for better isolation

## Temperatures

Standard	-40°C (-50°C static)	+70°C (+90°C static)
----------	----------------------	----------------------

## References

DB08311	Bellow 3 convolutes 8" x 3 Stainless steel bolted air inlet G <sup>1/2</sup> centered
---------	---

## Characteristics in static condition (daN)

Height	2 bar	3 bar	4 bar	5 bar	6 bar	7 bar	8 bar	Vol 5 bar
100	600	901	1 209	1 498	1 804	2 104	2 402	1246
120	566	839	1 126	1 402	1 689	1 965	2 246	1612
160	485	726	970	1 207	1 458	1 691	1 932	2362
200	403	604	799	1 004	1 206	1 407	1 611	3161
205	392	587	781	976	1 176	1 366	1 564	3249
240	319	476	633	789	949	1 106	1 262	3943
280	229	340	453	565	680	791	904	4726
300	180	269	364	451	539	626	718	5132
325	124	182	247	306	362	424	481	5635

## Mounting instructions

Fastening torque M10 x 1,5 : 20 to 28 Nm

Indicative value of force to reach the minimum height at atmospheric pressure is 15 daN.